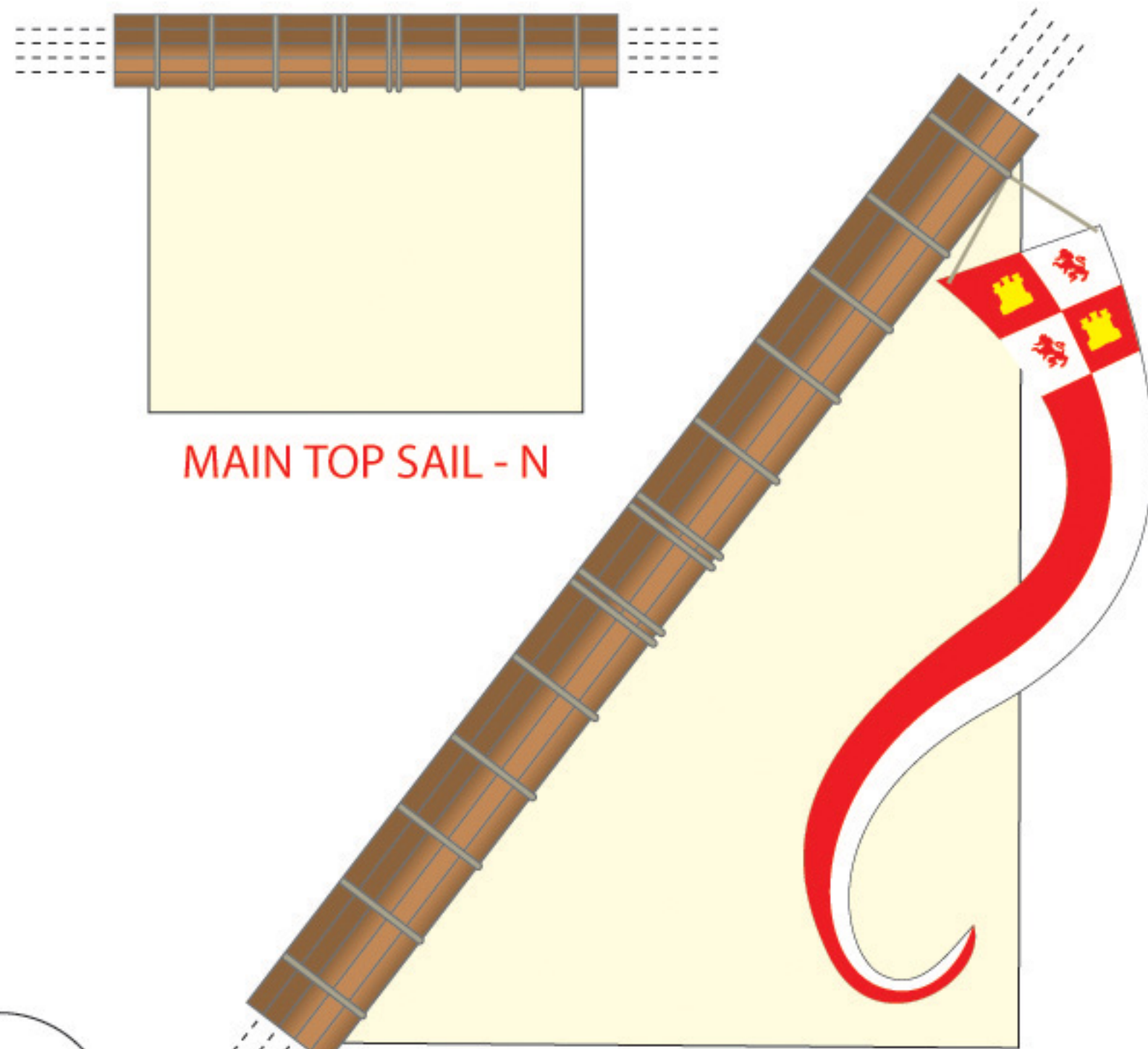
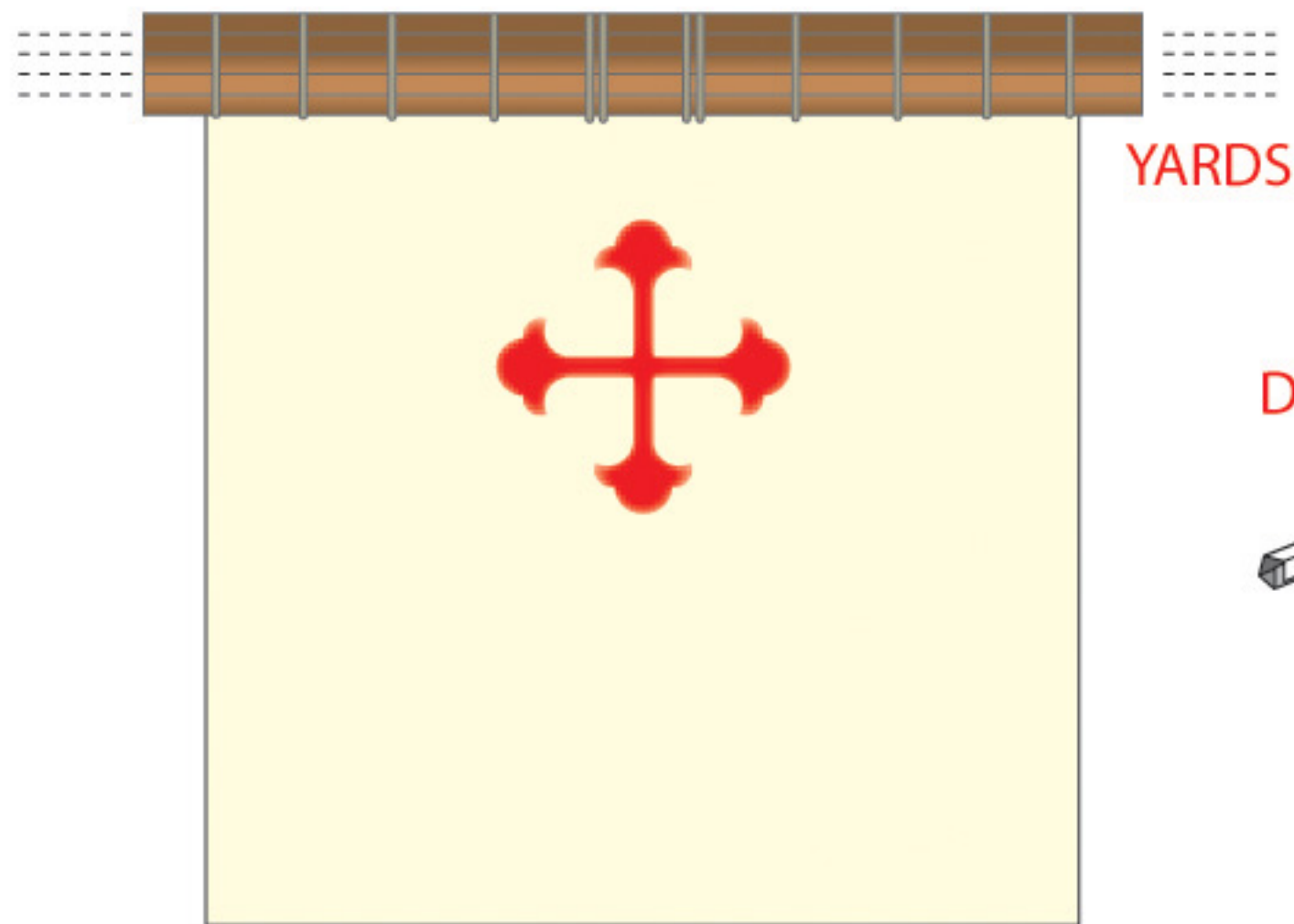


MAIN SAIL - M

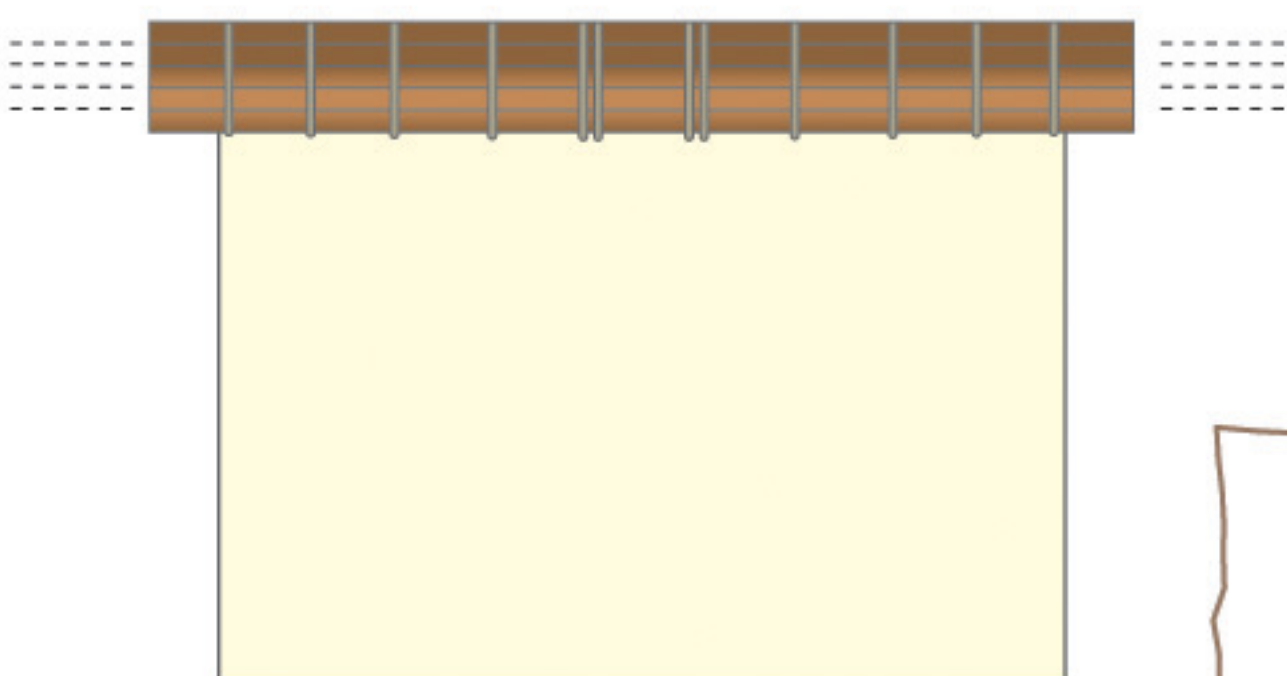


MAIN TOP SAIL - N

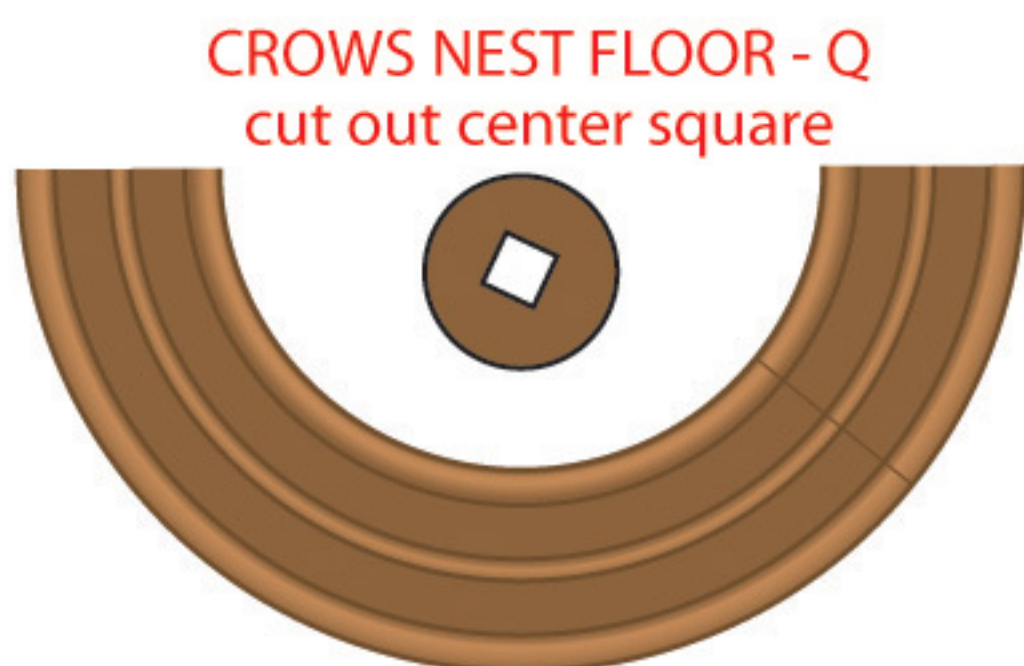
MIZZEN (AFT) SAIL - O



FORE SAIL - L

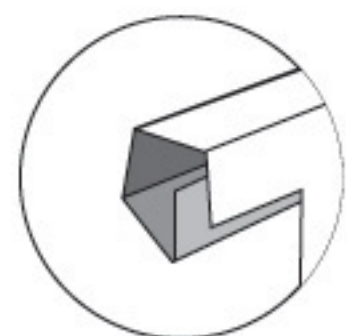


SPRIT (BOW) SAIL - K

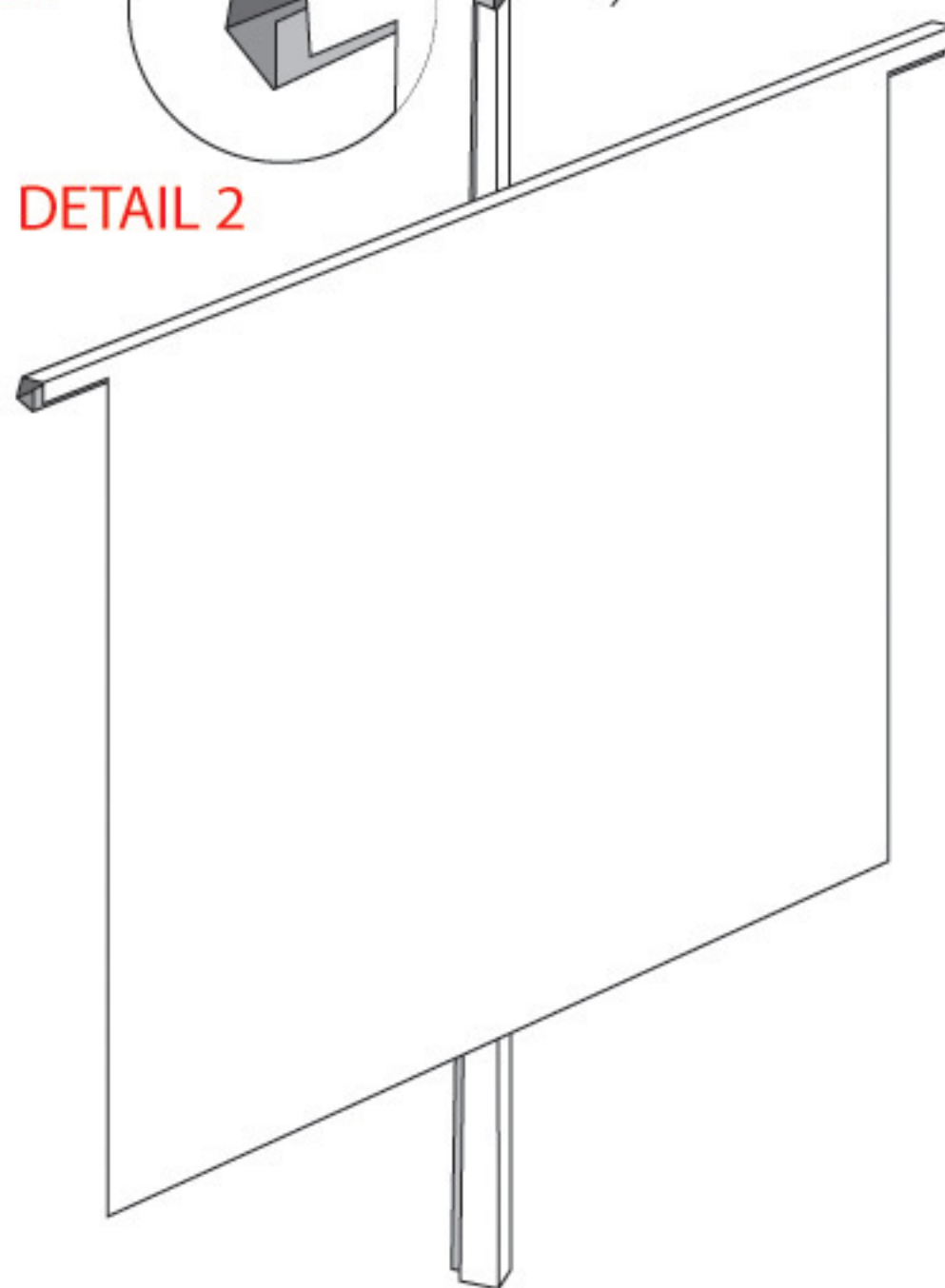


CROWS NEST - P

YARDS



DETAIL 2



FLAGS R



INSTRUCTIONS - B

1. Fold all 4 **MASTS G H I J**, and glue the fifth side inside of each, to create a square tube. (**detail 1**)
2. Fold the **YARDS** at the top of the **SAILS K L M N O**, and glue the fifth side inside. (**detail 2**)
3. Glue the **CROWS NEST P** to the **CROWS NEST FLOOR Q**, and slip down the **MAIN MAST I**
4. Glue the **SAILS** to the **MASTS**, and the **MASTS** to the **DECKS**
5. Glue the **SHROUDS** to the **SIDES** and **MASTS**
6. Glue the **FLAGS R** to toothpicks and insert in the tops of the masts